

Italy
Duomo - MILANO

Highlight

- **Systems and Components for central heating**
- **Components for renewable energy systems**
- **Pressfar**
- **Fittings**
- **Presetting valves and thermostatic head**
- **Balancing devices**
- **Zone valves**
- **Metering system**

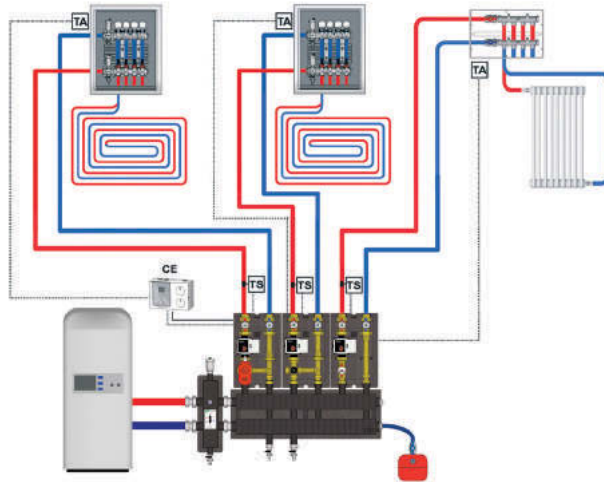
Systems for central heating

FAR offers a wide range of products designed for small and medium central heating systems. All booster units feature 1" connections and are equipped with high efficiency pump with 6, 7 or 8m.



2171

Booster unit for high temperature, complete with pump and insulation.



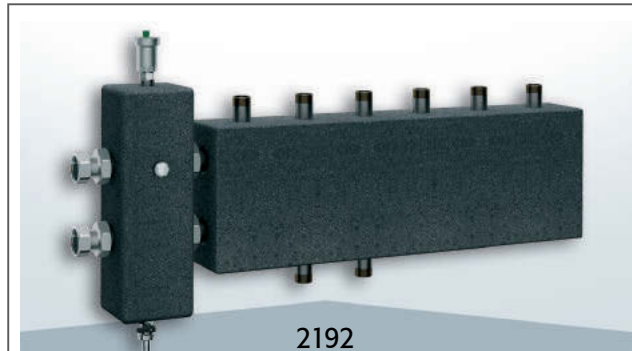
2177

Booster unit for high temperature complete with 4 shut-off valves, differential bypass, pump and insulation.



2174

Set point booster unit, complete with thermostatic mixer, pump and insulation.



2192

Distribution unit for central heating, complete with 1 1/4" hydraulic separator and manifold, suitable for use with up to three booster units.



2178

Set point booster unit, complete with thermostatic mixer, 4 shut-off valves, differential bypass, pump and insulation.



2176

Mixed booster unit, complete with mixing valve with 3-point actuator, pump and insulation.



9611

Temperature control unit preset for climatic operation, complete with delivery probe and external probe.



New version with 0-10V actuator



2164

Hydraulic separator complete with flanged connections and insulation. Available sizes: DN50, DN65, DN80, DN100. Complete with drain cock and automatic air vent valve.



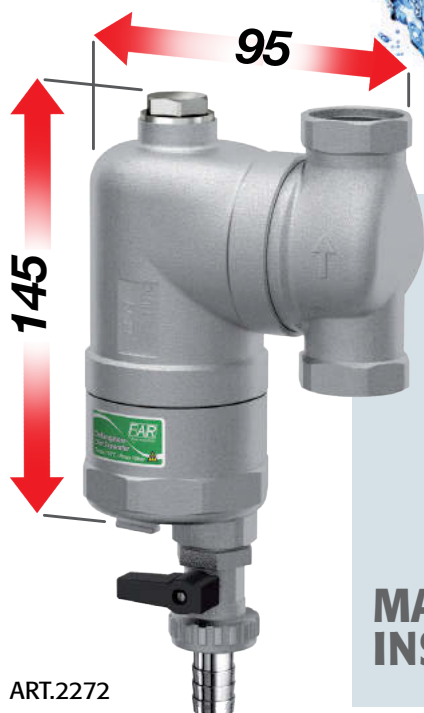
2179

Mixed booster unit, complete with mixing valve, 4 shut-off valves, differential bypass, pump and insulation.

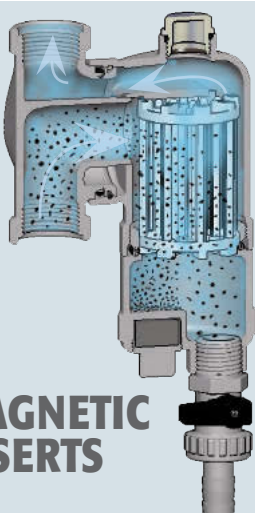
Please refer to pages 19-20 of FAR Price List 2016-March edition

Components for central heating

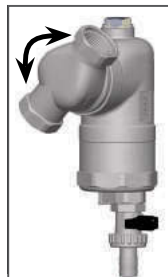
Dirt separator Smart



ART.2272



MAGNETIC INSERTS



The compact swivelling dirt separator can be installed on the pipeline in either vertical or horizontal position, as the part with threaded connections can rotate through 360° around its own axis.



DIRT SEPARATORS



ART.2200

ART.2236

COMBIFAR



ART.2231

DEAERATORS



ART.2250

ART.2258

The range of FAR dirt separators and deaerators offers a wide range of articles:

- Fixed and swivelling connections (according to the versions)
 - Dirt separators with or without magnetic inserts
 - Equipped with insulation
 - Combined dirt separators-deaerators
- Sizes:
 THREADED: 3/4" - 1" - 1 1/4" - 1 1/2" - 2" (according to the versions)
 FLANGED: DN50 - DN65 - DN80 - DN100 (according to the versions)

Please refer to page page 24 of FAR Price List 2016-March edition

Components for renewable energy systems

Anti-condensation valve for solid fuel systems

AVAILABLE SETTING:
45°C - 55°C - 60°C - 70°C

size	Kv [m ³ /h]
3/4"	3,9
1"	3,9
1"	11,3
1" 1/4	12,2

MALE CONNECTIONS
COMPLETE WITH
UNIONS

The FAR Anti-condensation Valve, Art.3966, prevents the formation of condensate in the circuits with solid fuel heat generators. Condensation and the consequent decrease of flue gas temperature can lead to corrosion and damage to both the heat exchanger and the flue.

This phenomenon can reduce the efficiency of heat exchange and even lead to encrustation that could ignite at high flue gas temperatures.



You can see the product at page 72 of FAR Price List 2016-March edition

Press fittings for geothermal and district heating systems

MALE FITTING



A new system of press fittings for standard SDR11 pipes in PE100 or PEX, suitable for use in geothermal and district heating plants. The fittings are made of brass with stainless steel bush and EPDM gaskets. They are guaranteed up to a pressure of 16 bar and a temperature of 95°C.

DOUBLE FITTING



Available sizes
(according to the version):

- 25x2,3
- 32x2,9
- 40x3,7
- 50x4,6
- 63x5,8

The press fitting system is compatible with profiles: H - TH - U

TEMPERATURE GAUGE HOLDER BALL VALVE with press connection and 1"swivelling nut



FITTING WITH SWIVELLING NUT



Please refer to page 73 of FAR Price List 2016-March edition

PRESSFAR

The universal solution



The universal system of press fittings for multilayer pipes, suitable for pressing with three different profiles: **TH-U-H**

AVAILABLE SIZES:

14x2	20x2,25	40x3,5
16x2	20x2,5	40x4
16x2,25	25x2,5	50x4
18x2	26x3	50x4,5
20x2	32x3	63x4,5



Please refer to page 207 of FAR Price List 2016-March edition

2-piece Fitting

A new line of 2-piece fittings in brass, that simplifies and speeds up assembly of the various components. Available in MF or FF versions, from 1/2" to 2" sizes, with swivelling nut and matching threads or with swivelling nut and reduced threads at both ends

of the fitting.

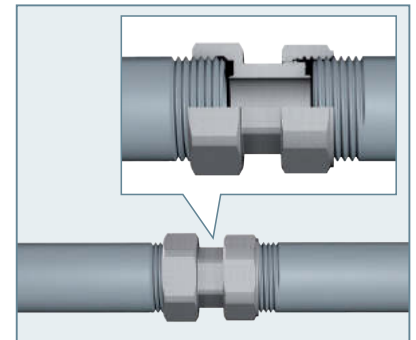
To ensure the seal, the fitting shape allows the use of flat EPDM gaskets or normal sealing systems such as hemp, ptfе, etc.– depending on requirements.



Art. 8313-8323



Art. 8311-8321



Please refer to page 40 of FAR Price List 2016-March edition

Presetting valves and Thermostatic head

PRESETTING VALVES

The PRESETTING valves simplify system calibration operations by improving radiator efficiency, thereby ensuring optimum energy saving. They are available straight or angled, in 3/8", 1/2" and 3/4" sizes.



ART.1618



ART.1648



Easy to adjust

THERMOSTATIC HEAD

Compact and elegant in design, FAR thermostatic heads allow you to automatically control the opening and closing of the radiator valves.



ART.1824



ART.1827



ART.1828

Please refer to page 160 of FAR Price List 2016-March edition

PRESSURE INDEPENDENT CONTROL VALVE (PICV)

Art. 2136-2137



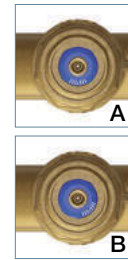
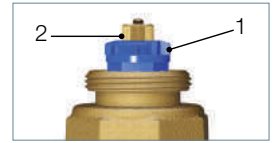
Balancing devices

New Pressure Independent Control Valve PICV designed for automatic balancing of heating, cooling and sanitary systems. The valve maintains a constant flow rate corresponding to the set design value by means of a simple numbered handle. Available in 1/2", 3/4", 1", 1 1/4", 1 1/2", 2" sizes.

Functioning

By turning the adjusting nut (1) you get the design flow value. Then, tighten the memory block (2).

Within the regulation range of Δp the flow rate remains constant, as shown in the graph.



New manifolds with built-in balancing valve designed to regulate the supply (max.) of fan coils in heating or cooling systems. The numbered handle enables an easy setting of the desired value. It is possible to limit or even lock the handle position. Available in 3/4" or 1" sizes, MF, with 2, 3 or 4 outlets.

NEW MANIFOLDS WITH BALANCING VALVE

Art. 3815



Please refer to page 43 and following ones of FAR Price List 2016-March edition

Zone valves

New range of stop valves, available in 3/4" or 1" sizes.

The Art. 3085 is equipped with a presetting system for the regulation of Kv and two probe seating.

This kind of valves is suitable for the installation of the electric actuators Art. 1909-1919-1914-1924.

FAR ball zone valves complete with actuators. Available from 1/2" to 2" sizes.



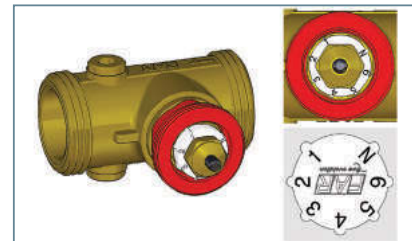
Art.3087



Art.3088



Art.3085



Art.300715-300815



Art.300520-300620



Art.300125-300225



Art.303915-304015



Art.307080-307180

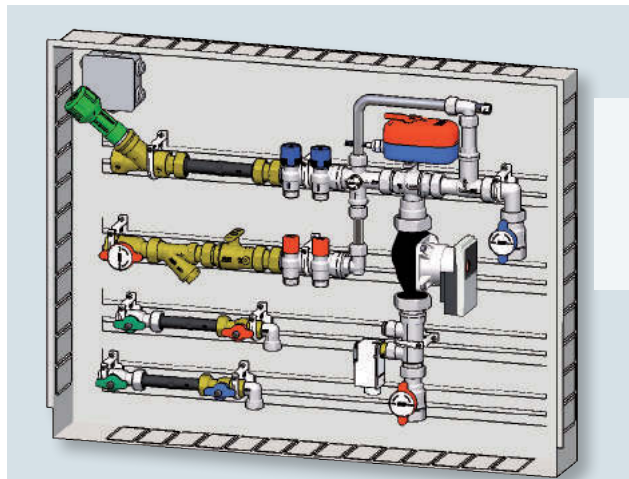
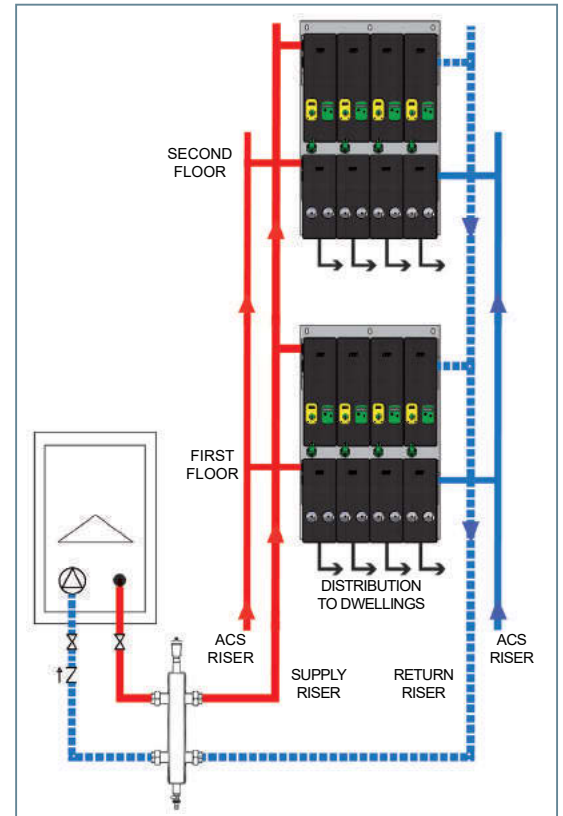
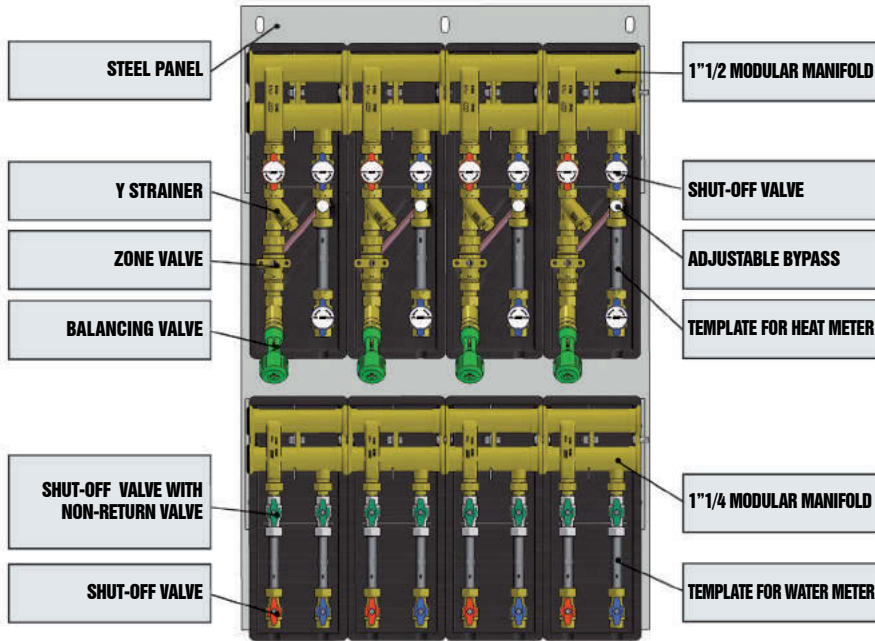
Please refer to page 79 and following ones of FAR Price List 2016-March edition

Metering system

The FAR metering system consists of modules that are pre-assembled in a box or on a plate as well as the equipment used to obtain consumption data for individual dwelling.

The new multi-user module for 2, 3 or 4 users is ready-to-install in compartments and is supplied pre-assembled on a steel plate measuring 770x1150 mm.

COMPONENTS

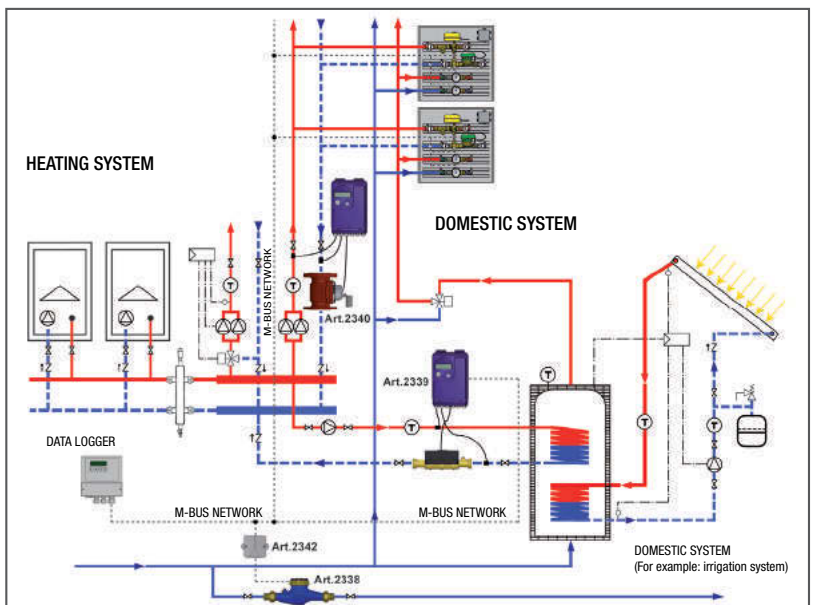
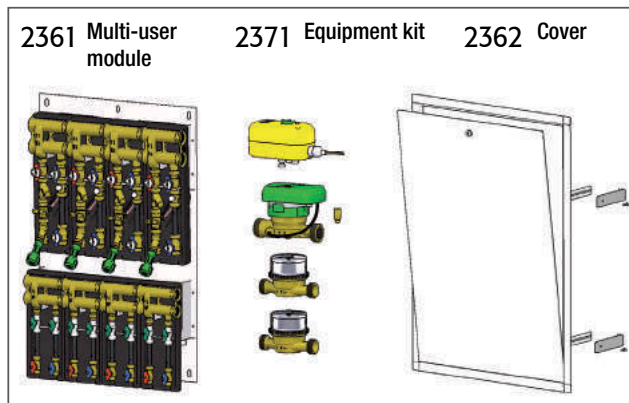


2381

The equipment conforms to MID 2004/22/CE

It is possible to read consumption data either directly on the display or via an M-Bus network.

Mixed metering system module for heating plants complete with connections for high temperature and MODULATING regulation unit





FAR - Factory in Gozzano (NO)



FAR - New factory in Gozzano (NO)



FAR - Factory in San Maurizio d'Opaglio (NO)



MASTER - Factory in Badia Polesine (RO)



Home sweet home



www.far.eu

flow evolution



Heating systems



Domestic services



Metering systems



www.master-system.it

system



Complete solutions

- Design
- Domestic Services
- Radiant heating and cooling systems
- Geothermal systems
- Controlled mechanical ventilation



FAR Rubinetterie S.p.A.
Via Morena, 20 - 28024 GOZZANO (NO) - ITALY
Tel. +39.0322.94722 - Fax +39.0322.955332
info@far.eu - export@far.eu - www.far.eu

MA.S.TER SYSTEM S.r.l.
Via L. Galvani, 185 - 45021 BADIA POLESINE (RO) - ITALY
Tel. +39.0425.51241 - Fax +39.0425.595039
info@master-system.it - www.master-system.it